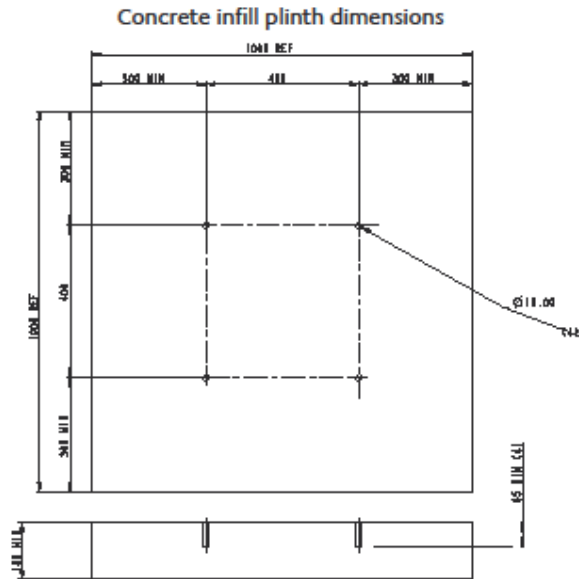


IP02 EXOSPHERE

INSTALLATION INSTRUCTIONS

Freespace and Surfacing = 0

Critical Fall Height = 0

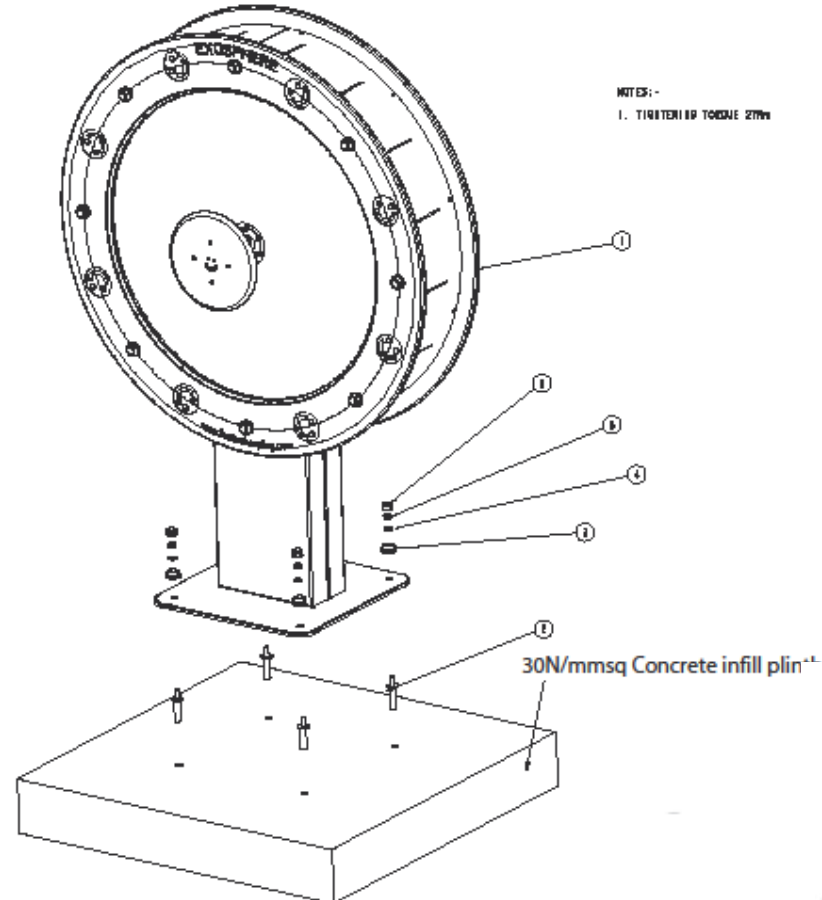


No. of People Required: 2
 No. of Hours Required: 1(121) inc. concrete curing
 Overall Unit Weight: 120Kg



HEAVY
 (Requires mechanical lifting)

6		NID SHROUD CAP	4
5		NID ST. ST. NUT	4
4		NID ST. ST. WASHER	4
3		NID BOLT SHROUD	4
2	FB1013	NID ANCHOR PROJECTION BOLT	4
1	IP-10005	MAIN FRAME	1
ITEM	PART NO	DESCRIPTION	QTY



The concrete pad should be allowed to cure for at least 120 hours before fitting unit.
 Concrete should be a minimum C20 mix.



www.inclusiveplay.com