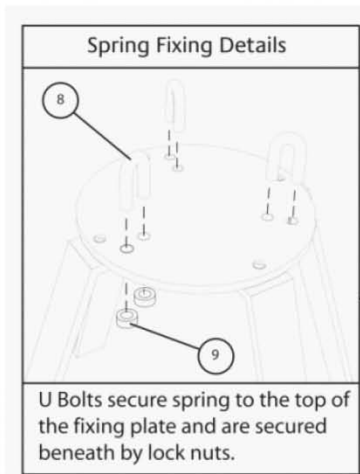


# IP05 HDPE ORBS

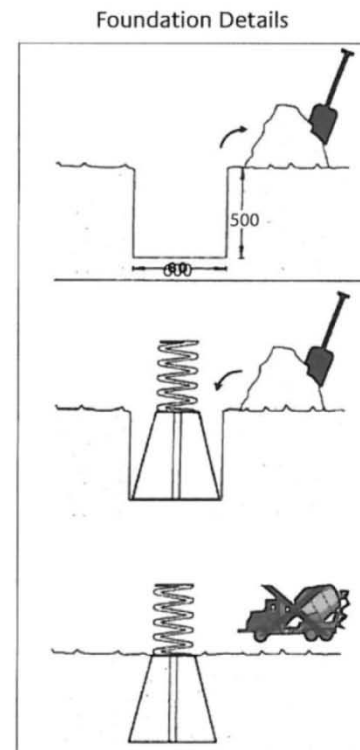
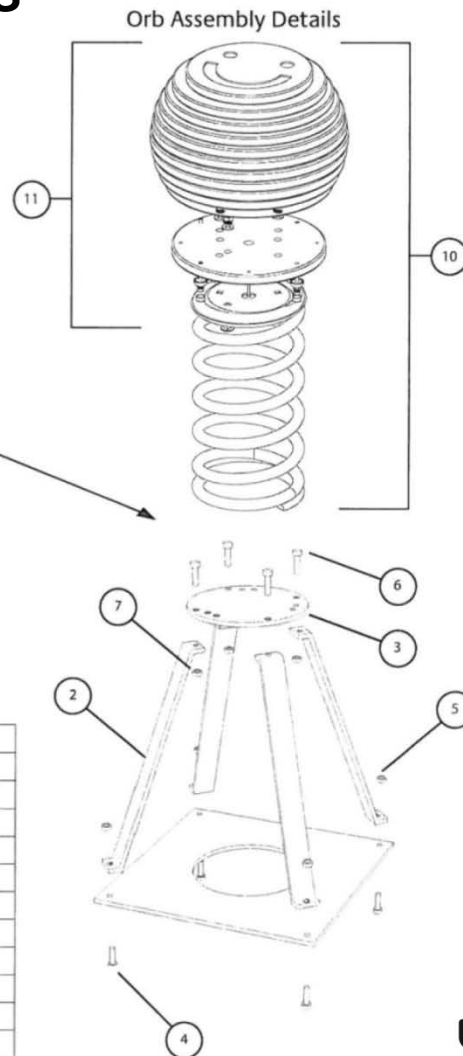
## INSTALLATION INSTRUCTIONS



No. of People Required: 1

No. of Hours Required: 2

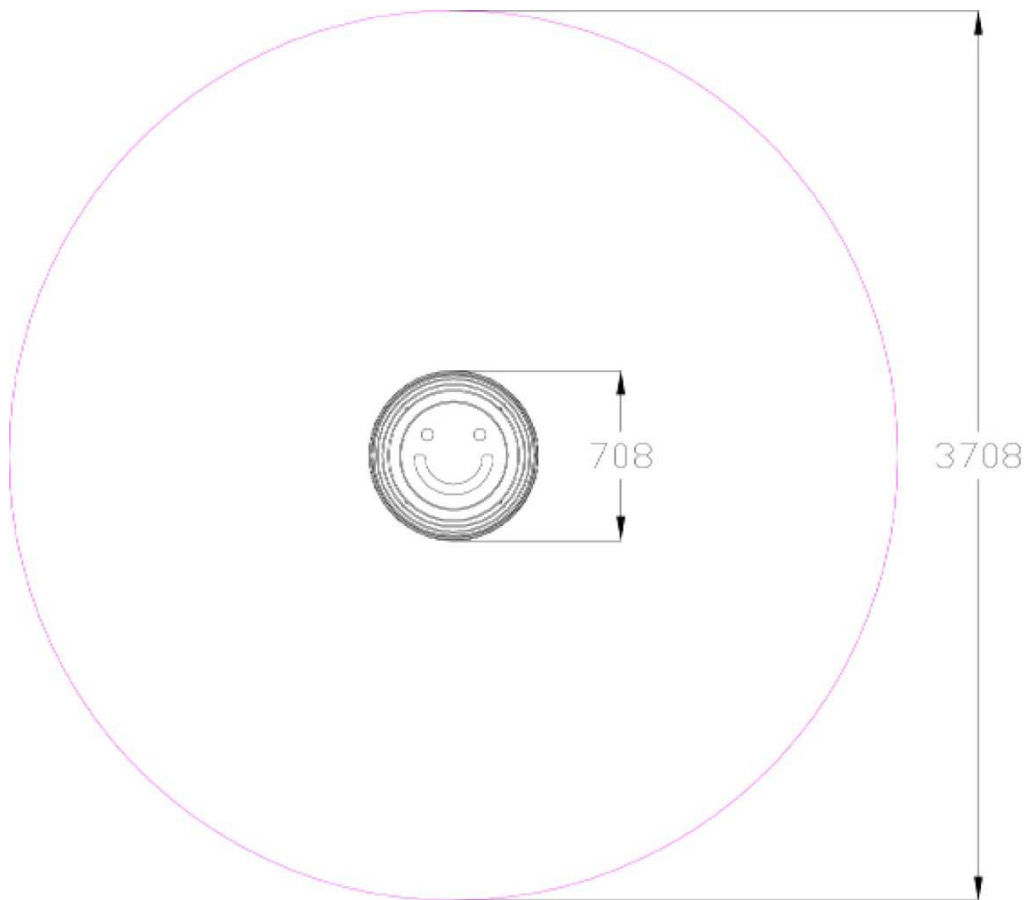
11		Pre-Assembled Orb	1
10		Pre-Assembled Orb and Spring	1
9		M12 Locking Nut	6
8		M12 U-Bolt	3
7		M10 Locking Nut	4
6		Countersunk Set Screw	4
5		M10 Locking Nut	4
4		M10 Hex Bolt	4
3		Ground Anchor Fixing Plate	1
2		Ground Anchor Support Leg	4
1		Ground Anchor Base Plate	1
ITEM	PART NO	DESCRIPTION	QTY



[www.inclusiveplay.com](http://www.inclusiveplay.com)

# IP05 HDPE ORBS

## INSTALLATION INSTRUCTIONS



Freespace and Surfacing = 10.8m<sup>2</sup>

Critical Fall Height = 0




[www.inclusiveplay.com](http://www.inclusiveplay.com)


# IP05 HDPE ORBS

## INSTALLATION INSTRUCTIONS


**REQUIRE**

 x1


**TIME**




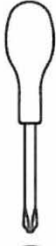
**ALL READY INSTALLED**




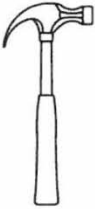
**TOOLS**

 17mm SPANNER


 5mm HEX

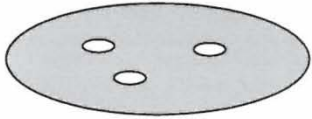



 5MM ALLEN KEY





**PARTS**


 x1


 x4


 x4


 x4

 x4

 x4

 x4

 x3

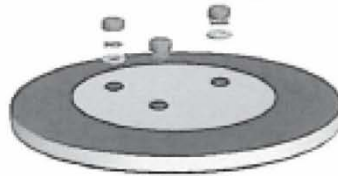
 x3

NOTE – FOR REFERENCE  
PARTS SHOWN NOT TO SCALE

# IP05 HDPE ORBS

## INSTALLATION INSTRUCTIONS

1

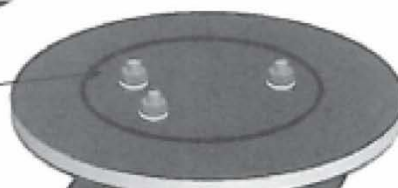


SPRING TO BE SECURED TO GROUND  
AS PER MANUFACTURERS  
INSTRUCTIONS - MUST BE SECURE

2



17mm  
SPANNER



ROTATE SPRING MOUNT PLATE ONTO SPRING  
SIT BASE DISC ON TOP  
FIT COACHBOLTS FROM UNDERNEATH  
SECURE WITH MOUNTING PLATE, LOCK WASHER &  
NUT  
NUTS TO BE SECURE & TIGHT X 3

# IP05 HDPE ORBS

## INSTALLATION INSTRUCTIONS

