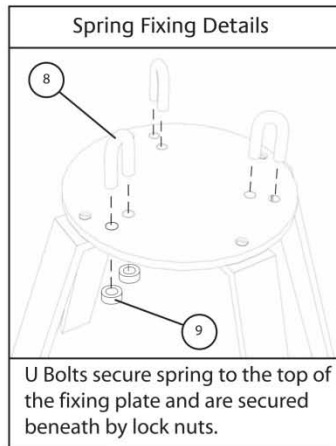


IP07 MEZZO

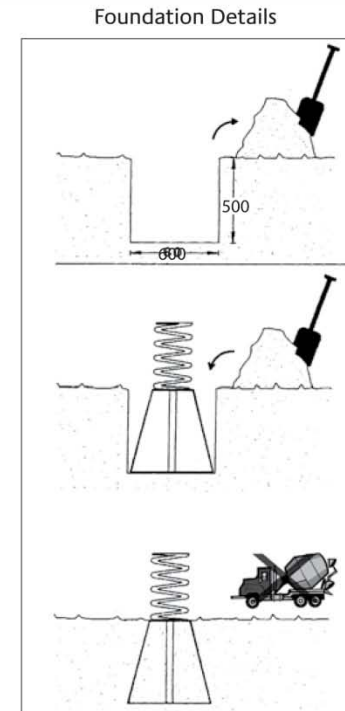
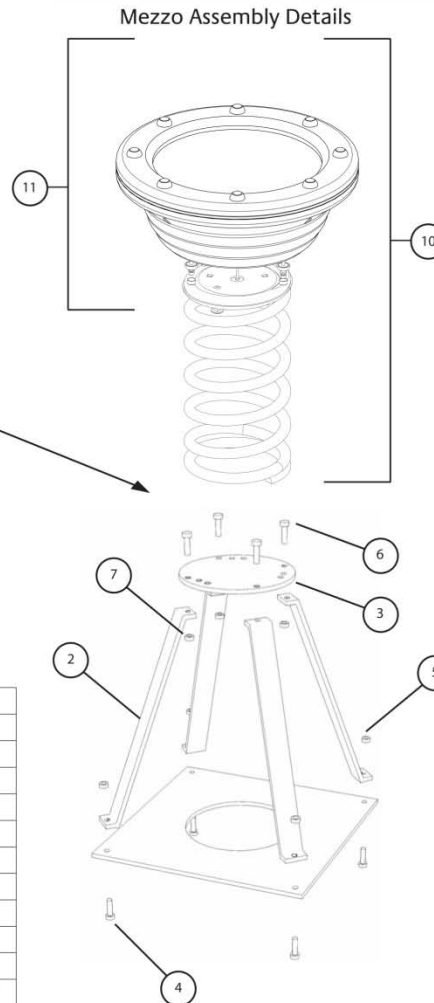
INSTALLATION INSTRUCTIONS



No. of People Required: 1

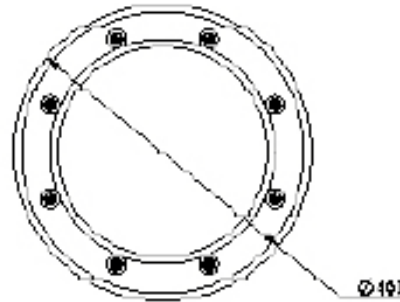
No. of Hours Required: 2

11		Pre-Assembled Mezzo	1
10		Pre-Assembled Mezzo and Spring	1
9		M12 Locking Nut	6
8		M12 U-Bolt	3
7		M10 Locking Nut	4
6		Countersunk Set Screw	4
5		M10 Locking Nut	4
4		M10 Hex Bolt	4
3		Ground Anchor Fixing Plate	1
2		Ground Anchor Support Leg	4
1		Ground Anchor Base Plate	1
ITEM	PART NO	DESCRIPTION	QTY



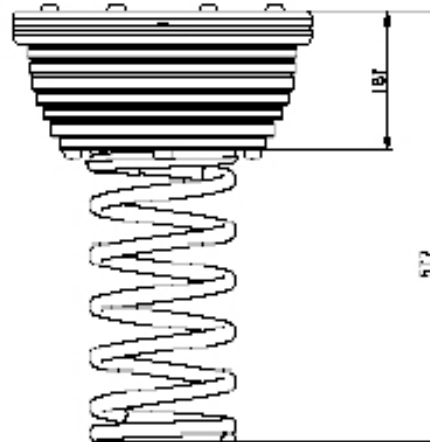
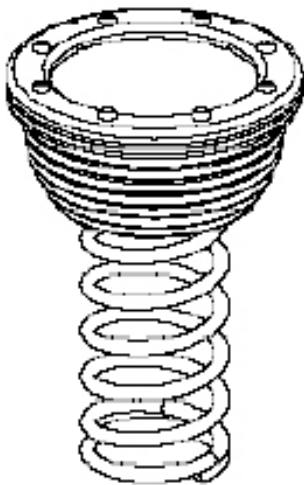
IP07 MEZZO

INSTALLATION INSTRUCTIONS



Freespace and Surfacing = 11m²

Critical Fall Height = 0



www.inclusiveplay.com